



PROJECT		REF		REV	ITEM CODE	
LOCATION		DATE			PAGE	

SANITARY WARE SPECIFICATION SHEET

Item Descriptions	Delabie (France) "Securitherm" Recessed thermostatic sequential shower mixer; Hygiene lever length 100mm	Illustration/ Drawing
Model	H9631L	
Finish	Bright Polished / Chrome Plated	
Material	Stainless Steel / Brass	
Manufacturer	Delabie (France)	
Source	Acme Sanitary Ware Co. Ltd Mr. Eric Wong/ Mr. Wilson Hung	
Contact Tel/Fax	(852) 2388-7171 / (852) 2710-8012	
E-mail	acme@acmesanitary.com.hk	
Website	www.acmesanitary.com.hk	
DESCRIPTION		
<p>Recessed thermostatic sequential shower mixer Ref. H9631L</p> <p>Recessed Securitherm thermostatic shower, kit 2/2 :</p> <p>Thermostatic sequential mixer: opens and closes with cold water.</p> <p>Mixer with no non-return valves on the inlets (reduces bacterial proliferation).</p> <p>No risk of cross flow between hot and cold water.</p> <p>Sequential mixer with anti-scalding failsafe: shuts off automatically if cold water supply fails.</p> <p>Prevents cold showers: cold water supply shuts off if hot water supply fails.</p> <p>Sequential mixer with Securitouch thermal insulation prevents burns.</p> <p>Scale-resistant thermostatic sequential cartridge adjusts the flow rate and temperature.</p> <p>Temperature control from cold water up to 39°C with maximum temperature limiter set at 39°C.</p> <p>Thermal shocks are possible.</p> <p>Flow rate regulated at 9 lpm (mixer only), 6 lpm at 3 bar with shower head.</p> <p>Hygiene lever L. 100mm.</p> <p>Filters integrated on the inlets M3/4".</p> <p>Order a shower head to complete.</p> <p>Bright polished stainless steel wall plate 166 x 166mm.</p> <p>Mixer ideal for healthcare facilities, retirement and care homes, hospitals and clinics.</p> <p>Sequential mixer suitable for people with reduced mobility.</p> <p><i>Order the waterproof recessing housing ref. H96BOX.</i></p>		

Note:

** All information of the above is for the reference only. No prior notice is made if any changes.*



PROJECT		REF		REV	ITEM CODE	
LOCATION		DATE			PAGE	

SANITARY WARE SPECIFICATION SHEET

TECHNICAL CHARACTERISTICS

Recessed thermostatic sequential shower mixer

Ref. H9631L

Technology	SECURITHERM Securitouch thermostatic sequential mixer
Height	166mm
Width	166mm
Flow rate	Flow rate regulated at 9 lpm (mixer only), 6 lpm at 3 bar with shower head
Temperature limiter	Yes
Finish	Chrome-plated brass

ADVANTAGES



Sequential: opens/closes with cold water



Maximum hygiene: no non-return valves



SECURITHERM: optimal anti-scalding safety

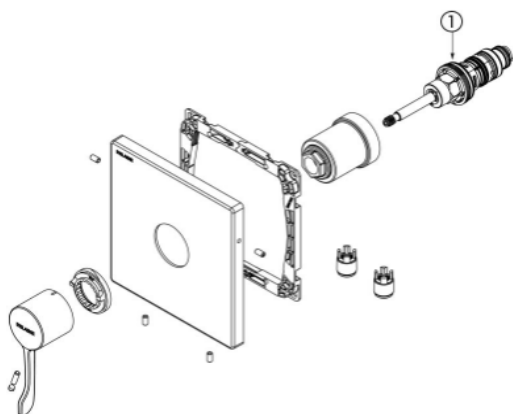


Thermostatic: total temperature stability

SPARE PARTS

Recessed thermostatic sequential shower mixer

Ref. H9631L



1. N962



Thermostatic cartridge for shower mixers

Note:

* All information of the above is for the reference only. No prior notice is made if any changes.



水務署
Water Supplies Department

總部 Headquarters

香港灣仔告士打道七號入境事務大樓 48 樓

Registration Tower, 7 Gloucester Road, Wan Chai, Hong Kong



本署檔號
Our ref.
來函檔號
Your ref.

1/2023 T/J(968/2023)

電話 :
Tel. :
傳真 : 2824 0578
Fax. :

29 January 2024



**Approval of "DELABIE" Shower Mixer
(General Acceptance No. C20240071)**

Your letter ref. H9631X dated 18 September 2023 and subsequent submissions received by this department up to 5 January 2024 refer.

Having considered the test report ref. J28454r3 issued on 14 November 2023 by Nutek Systems (HK) Limited, this Authority accepts that the fitting described below complies with, and its use when correctly installed does not contravene, the Waterworks Ordinance and Regulations.

Name of Manufacturer: Delabie SAS

Country of Origin: France

Brand: Delabie

Details of Fitting: 1/2" Single lever shower mixer

Model: H9631X
(where "X" denotes the code of handle)

Body Markings: **DELABIE**

Expiry Date: 5 January 2028



This Authority hereby permits the use of the above fitting in fresh water plumbing systems subject to full adherence to Waterworks installation requirements. In particular, you are required to draw your customers' attention to the following requirement-

"The cold water supply to the fitting shall be drawn from the same source that supplies the hot water apparatus so as to provide a balanced pressure and to obviate the risk of scalding in the event of a restriction or failure in the water supply." AND

"The shower head or handspray should not be placed in submerged conditions and should be securely fixed to the original position after use."

A condition of this acceptance is that the fitting to be installed shall be replicas of the sample as certified by the testing agent mentioned above and without modifications. This acceptance may be withdrawn at any time if the standard of the fitting installed fails to meet that of the approved sample or if the fitting is found to be unsuitable for use in fresh water plumbing systems.

This acceptance is only applicable to the main body of the fitting, unless otherwise specified.

For the use of the fitting in any project, the General Acceptance Number of this letter must be quoted as a means of identification of acceptance of the fitting by this Authority.

Should you have any enquiries, please contact our Engineer Mr Albert CHOW at tel. no. 3583 4086.

Yours faithfully,



(Terry KUNG)

for Director of Water Supplies

Encl.

c.c. WSD 3321/1/82] - without catalogue
ME/MC] - with soft copy only